
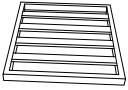


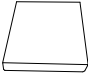
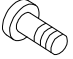
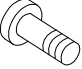


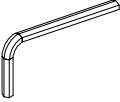
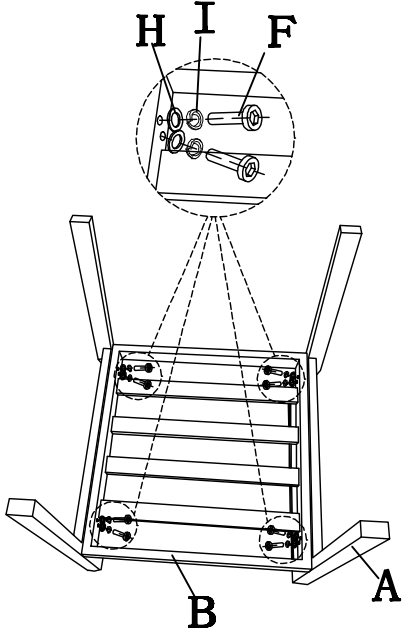


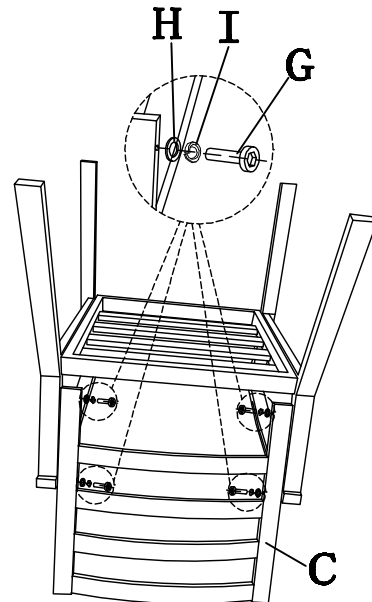
PARTS LIST

											
Arm Panel		Seat Panel		Back Panel		Seat Cushion		Back Cushion		Bolt-M6*40	
A	2pcs	B	1pc	C	1pc	D	1pc	E	1pc	F	8pcs
											
Bolt-M6*55		Washer		Washer		Allen Key					
G	4pcs	H	12pcs	I	12pcs	J	1pc				

(1)

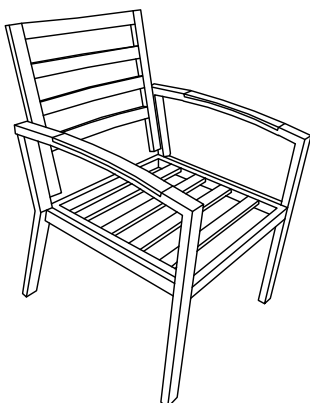


(2)



Please do not tight the screw until all screws lined up with holes and try to tight it loosely initially in all screws then tight a little bit more in all screws. Do not overtight one screw that will make other screws hard to tight but tight all screws firmly in the end.

(3)



(4)

