
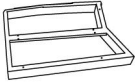







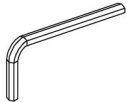
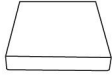


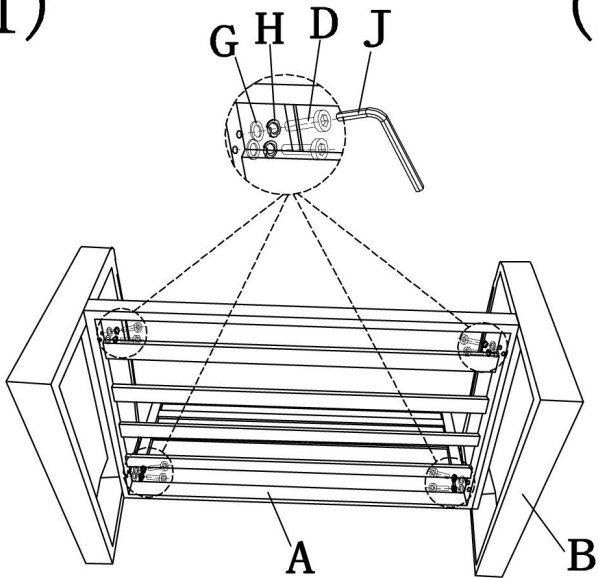


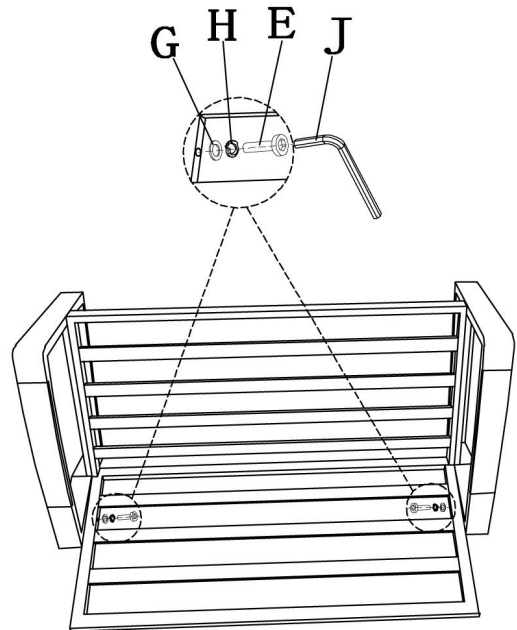
PARTS LIST

											
Sofa Panel		Arm Panel		Bottom Panel		Bolt-M6*40		Bolt-M6*60		Bolt-M6*30	
A	1pc	B	2pcs	C	1pc	D	8pcs	E	2pcs	F	8pcs
											
Washer		Spring Washer		Plastic Washer		Allen Key		Seat Cushion		Back Cushion	
G	18pcs	H	10pcs	I	8pcs	J	1pc	K	2pcs	L	2pcs
											
Rocker arm bar											

(1)

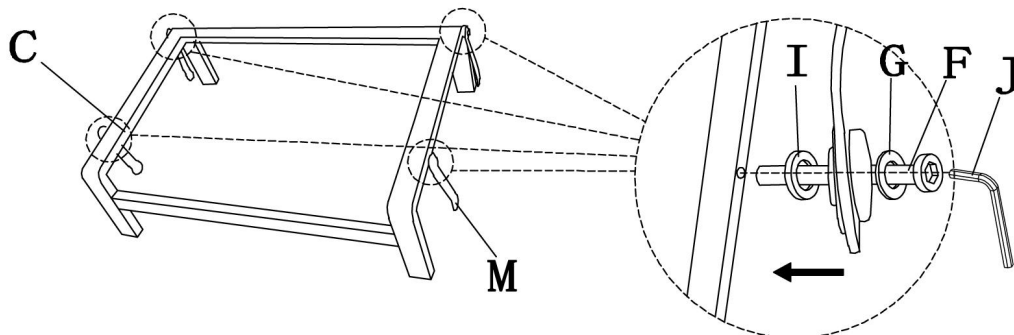


(2)

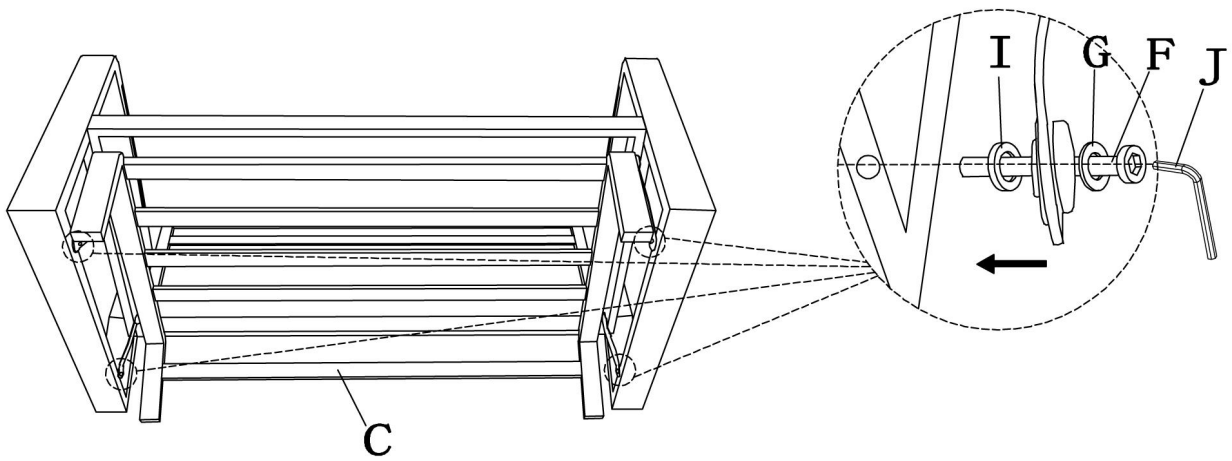


Please do not tight the screw until all screws lined up with holes and try to tight it loosely initially in all screws then tight a little bit more in all screws. Do not overtight one screw that will make other screws hard to tight but tight all screws firmly in the end.

(3)



(4)



Please do not tight the screw until all screws lined up with holes and try to tight it loosely initially in all screws then tight a little bit more in all screws. Do not overtight one screw that will make other screws hard to tight but tight all screws firmly in the end.

(5)

(6)

